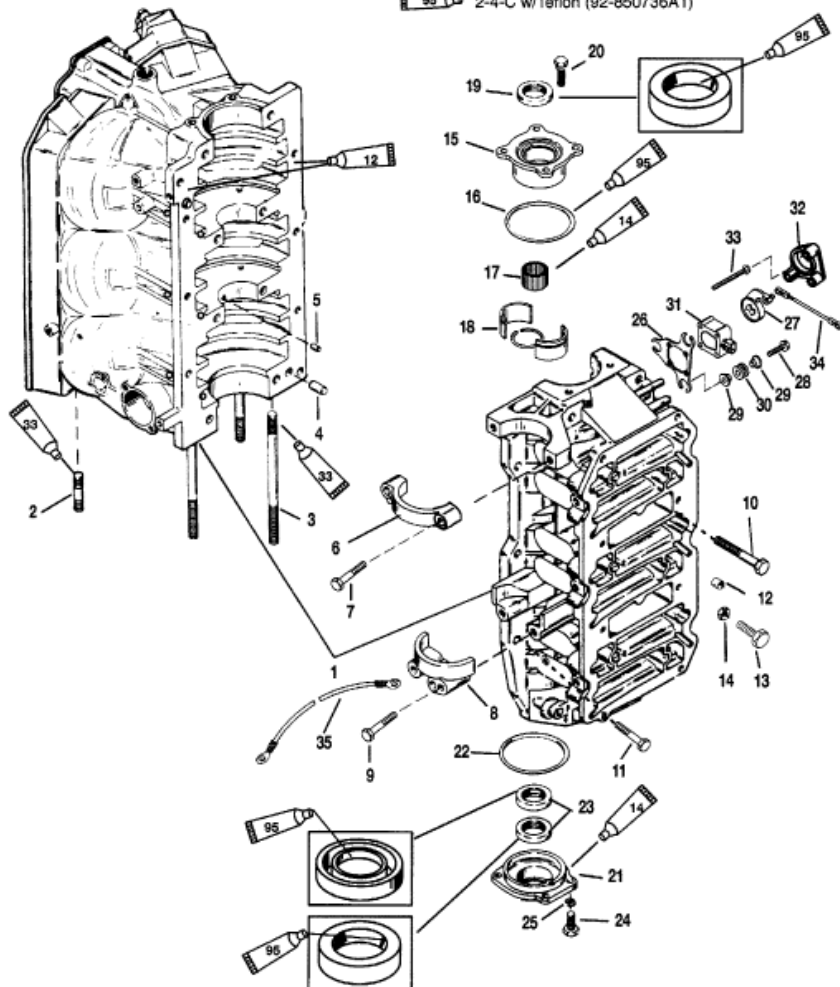


- 14 2 Cycle Outboard Oil (92-13249A24)
- 33 Loctite "RC/680" Retaining Compound (92-809833)
- 95 2-4-C w/Teflon (92-850736A1)



Parts List						
Ref	Class	Part	Description	Qty	Comment	Footnote
1	884	828340A16	CYLINDER BLOCK ASSEMBLY	1		5
2	16	818138	3 STUD-POWERHEAD (1-3/4 IN.)	6		5
3	16	67065	3 STUD-POWERHEAD	2	(5-1/2 IN.)	5
3	16	78438	4 STUD-POWERHEAD	2	(6-3/4 IN.)	5
4	17	43044	DOWEL PIN-LOCATING	2		5
5	17	67296	DOWEL PIN (BEARING RACE)	2		5
6		856966	1 COVER	1		5
7	10	828213	2 SCREW	2		5
8		76867	1 COVER (BOTTOM)	1		5
9	10	828214	2 SCREW	2		5
10	10	66717	8 SCREW (3/8-16 X 3-1/4)	8		5
11	10	74824	6 SCREW (.312-18 X 1-1/4)	6		5
12		26852	1 CAP	1		5
13	10	856832	1 ADJUSTING SCREW (1/4-20 X	1		5
14	11	64015	1 JAM NUT	1		5
15	1159	832760T	1 UPPER END CAP	1		5
16	25	54029	1 O-RING	1		2,5
17	31	16756A	4 ROLLER BEARING	1		5
18		NSS	1 BEARING RACE	1		5
19	26	41953	1 OIL SEAL	1		5
20	10	30225	4 SCREW (5/16-18 X 1)	4		5
21	1156	7809T	1 LOWER END CAP	1		5
22	25	62700	1 O-RING (3-1/4 IN. I.D.)	1		2,5
23	26	41953	2 OIL SEAL	2		5
24	10	28636	4 SCREW (1/4-20 X 3/4)	4		5
25	13	26992	4 LOCKWASHER	4		5
26		853882	1 BRACKET	1		
27		851937	1 TPI LEVER	1		
28	10	821300	3 SCREW -BRACKET TO CRANKCA	3		
29	23	831870	6 BUSHING	6		
30	25	834985	3 GROMMET	3		
31		832952	10 THROTTLE POSITION SENSOR (1		
32		858226	1 TPS COVER	1		
33	10	850828	3 SCREW -TPS TO BRACKET (#10-	3		
34		858227	1 THROTTLE LINK	1		
35	84	88439A26	1 BATTERY CABLE (NEGATIVE)	1		
-	27	814754A00	1 ENGINE GASKET SET	1		
-		854008T00	1 POWERHEAD	1		